



Drukbare assesserings CAMI Wiskunde: Graad 4

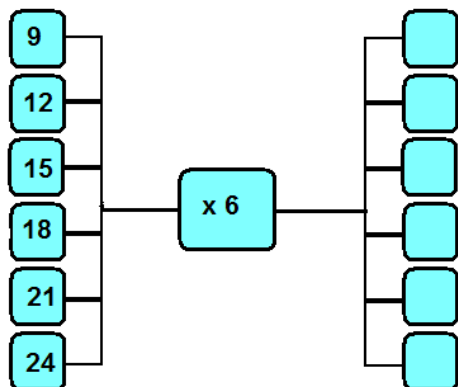
1. Getalle, bewerkings en verwantskappe

1.1 HEELGETALLE:

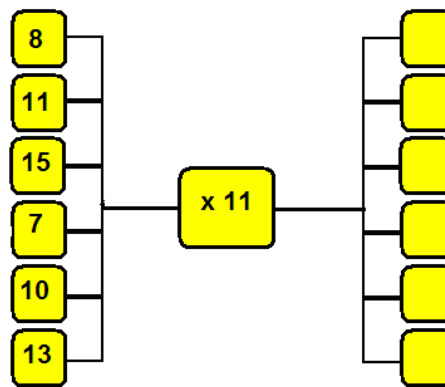
Vermenigvuldiging en deling.

1.1 Voltooi die gegewe diagramme.

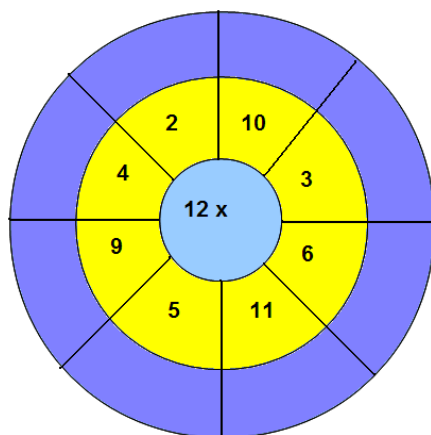
(a)



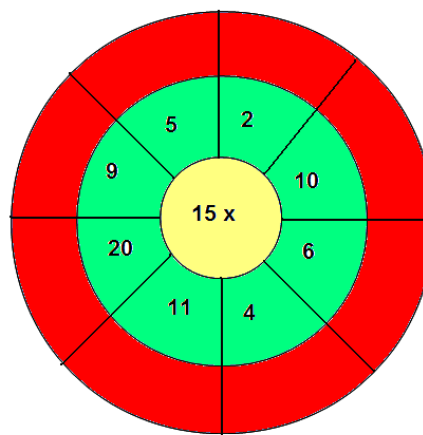
(b)



(b)



(b)



1.2 Gebruik langdeling en bereken die volgende.

- (a) $325 \div 3$
- (b) $649 \div 5$
- (c) $823 \div 4$

1.4 Gebruik die opbou en/of afbreek metode om die volgende te bereken.

- (a) 34×52
- (b) 28×76
- (c) 43×27



Drukbare assesserings CAMI Wiskunde: Graad 4

1.5 Gebruik afronding en kompensasie om die volgende te bereken.

(a) 602×34

(b) 243×58

(c) 52×553

1.8 Pas die assosiatiewe eienskap toe om die volgende te bereken.

(a) $(58 \times 5) \times 2$

(b) $5 \times (2 \times 35)$

1.9 Pas die kommutatiewe wet toe om die volgende te bereken,

(a) $7 + (6 + 3)$

(b) $13 \times (9 \times 5)$

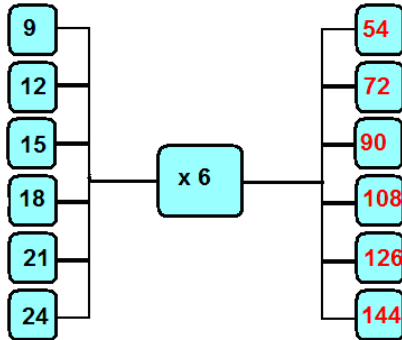


Drukbare assesserings CAMI Wiskunde: Graad 4

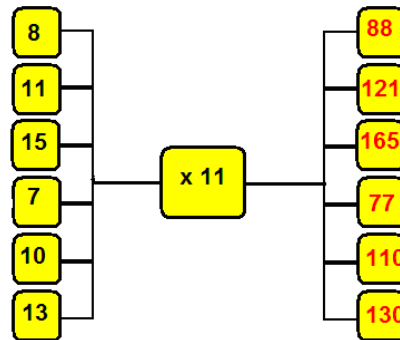
MEMO

1.1 Vermenigvuldig. [3.2.2.2; 3.2.2.3; 3.6.4.3]

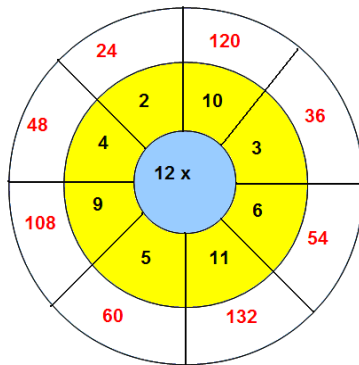
(a)



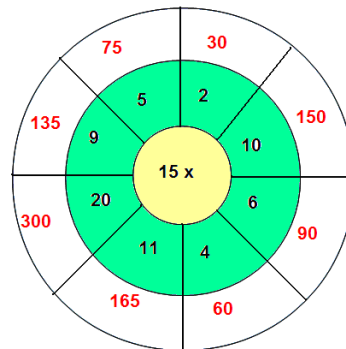
(b)



(b)



(b)



1.2 Langdeling. [1.5.4.3; 1.5.4.4]

(a) $325 \div 3$

$$\begin{array}{r} 108 \text{ r } 1 \\ 3 \overline{) 325} \\ \underline{3} \\ 2 \\ \underline{0} \\ 25 \\ \underline{24} \\ 1 \end{array}$$

(b) $649 \div 5$

$$\begin{array}{r} 129 \text{ r } 4 \\ 5 \overline{) 649} \\ \underline{5} \\ 14 \\ \underline{10} \\ 49 \\ \underline{45} \\ 4 \end{array}$$



Drukbare assesserings CAMI Wiskunde: Graad 4

$$\begin{array}{r} \text{(c)} \quad 823 \div 4 \\ \underline{205 \text{ r } 3} \\ 4 \overline{)823} \\ \underline{8} \\ 2 \\ \underline{0} \\ 23 \\ \underline{20} \\ 3 \end{array}$$

1.4 Opbou en afbreek metode. [1.4.4.1]

(a) 34×52 (b) 28×76

$$\begin{array}{r} 34 \\ \times 52 \\ \hline 68 \\ 1700 \\ \hline 1768 \end{array}$$

$$\begin{array}{r} 28 \\ \times 76 \\ \hline 168 \\ 1960 \\ \hline 2128 \end{array}$$

$$\begin{array}{r} \text{(c)} \quad 43 \times 27 \\ 43 \\ \times 27 \\ \hline 301 \\ 860 \\ \hline 1161 \end{array}$$

1.5 Afronding en kompensasie. [1.7.2.2; 1.7.2.3]

$$\begin{aligned} \text{(a)} \quad & 602 \times 34 \\ & = 600 \times 30 \\ & = 18\,000 \end{aligned}$$

$$\begin{aligned} \text{(b)} \quad & 243 \times 58 \\ & = 200 \times 60 \\ & = 121\,000 \end{aligned}$$

$$\begin{aligned} \text{(c)} \quad & 52 \times 553 \\ & = 50 \times 600 \\ & = 30\,000 \end{aligned}$$



Drukbare assesserings CAMI Wiskunde: Graad 4

1.8 Assosiatiewe eienskap. [1.7.7.1]

$$\begin{aligned} \text{(a)} \quad & (58 \times 5) \times 2 \\ & = 58 \times (5 \times 2) \\ & = 58 \times 10 \\ & = 580 \end{aligned}$$

$$\begin{aligned} \text{(b)} \quad & 5 \times (2 \times 35) \\ & = (5 \times 2) \times 35 \\ & = 10 \times 35 \\ & = 350 \end{aligned}$$

1.9 Kommutatiewe wet. [1.7.7.6]

$$\begin{aligned} \text{(a)} \quad & 7 + (6 + 3) \\ & = 7 + (3 + 6) \\ & = 7 + 9 \\ & = 16 \end{aligned}$$

$$\begin{aligned} \text{(b)} \quad & 13 \times (9 \times 5) \\ & = 13 \times (5 \times 9) \\ & = 13 \times 45 \\ & = 585 \end{aligned}$$