



Printable assessments

CAMI Mathematics: Grade 4

2. Patterns, functions and algebra

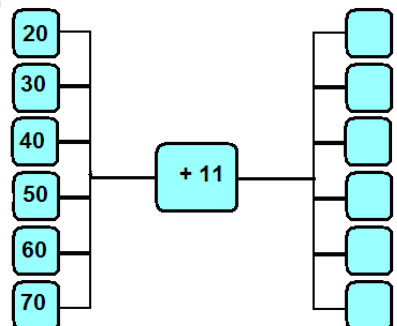
2.1 Number sentences.

1.1 Extend numeric patterns.

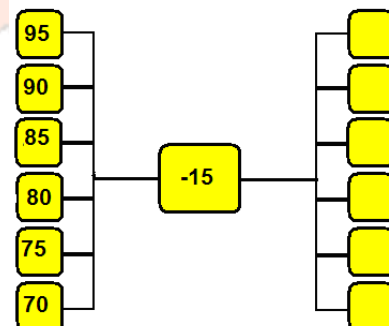
- (a) If 32 ; 28 ; 24 ; 20; is a number pattern.
Write down the interval between the numbers.
Write down the next number in the pattern.
- (b) If 47 ; 39 ; 31 ; 23 ;..... is a number pattern.
Write down the interval between the numbers.
Write down the next number in the pattern.
- (c) If 100 ; 117 ; 134 ; 151 ;..... is a number pattern.
Write down the interval between the numbers.
Write down the next number in the pattern.
- (d) If 346 ; 340 ; 334 ; 328 ;..... is a number pattern.
Write down the interval between the numbers.
Write down the next number in the pattern.
- (e) If 151 ; 141 ; 131 ; 121 ;..... is a number pattern.
Write down the interval between the numbers.
Write down the next number in the pattern.

1.2 Input and output values (flow diagrams).

(a)



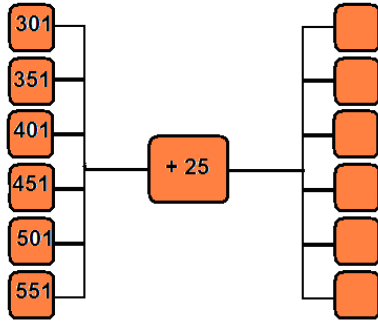
(b)



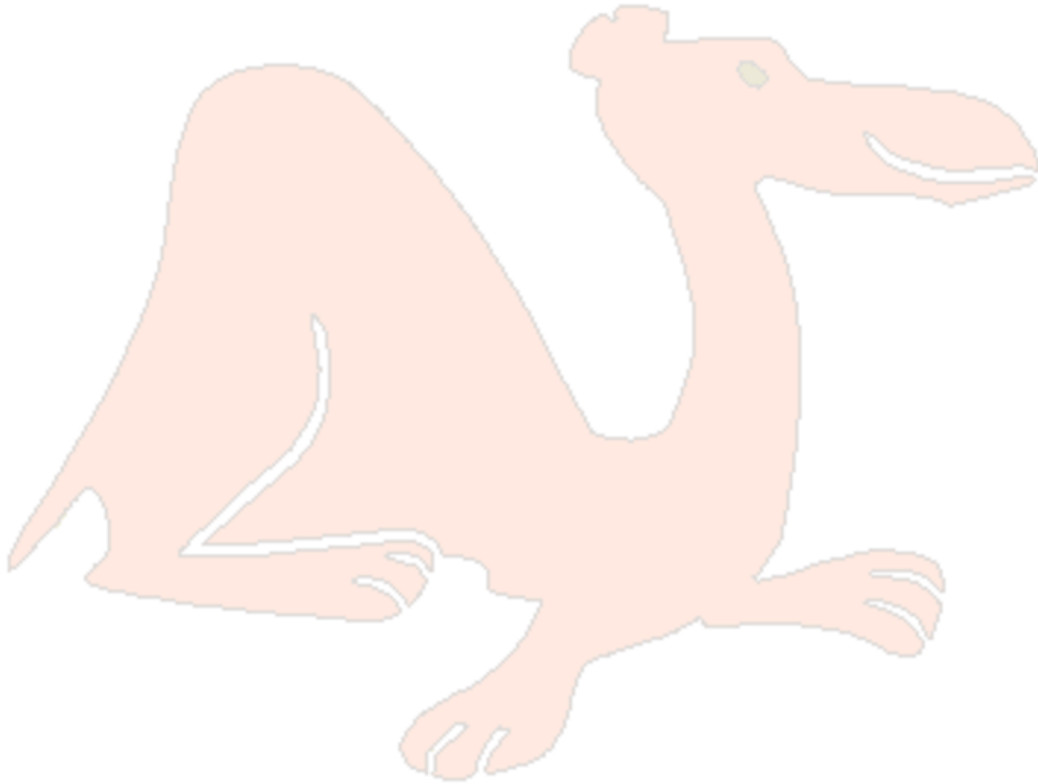
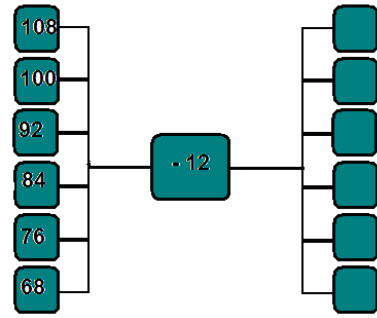


Printable assessments CAMI Mathematics: Grade 4

(c)



(d)





Printable assessments

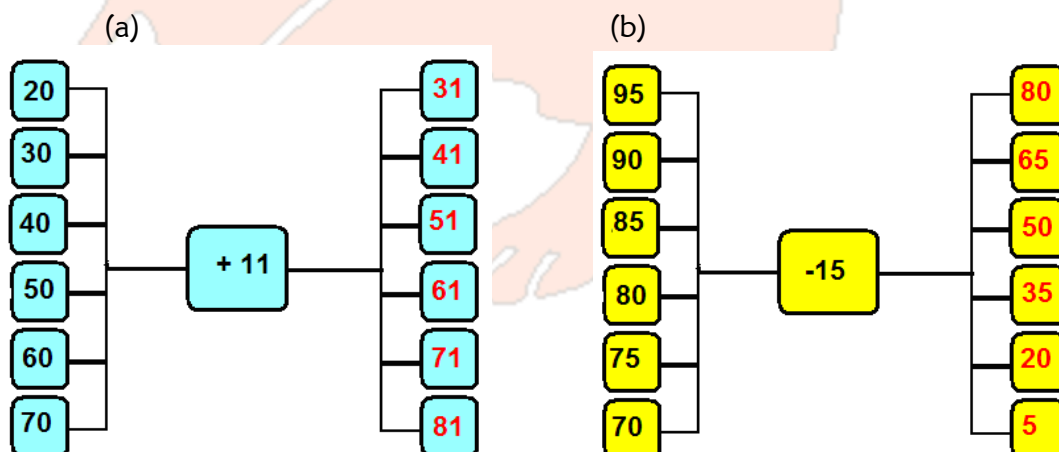
CAMI Mathematics: Grade 4

MEMO

1.1 Extend numeric patterns. [4.1.2.5]

- (a) 32 ; 28 ; 24 ; 20 ;
The interval is **-4**
The next number in the pattern is **16**
- (b) 47 ; 39 ; 31 ; 23 ;
The interval is **-8**
The next number in the pattern is **15**
- (c) 100 ; 117 ; 134 ; 151 ;
The interval is **17**
The next number in the pattern is **168**
- (d) 346 ; 340 ; 334 ; 328 ;
The interval is **-6**
The next number in the pattern is **322**
- (e) 151 ; 141 ; 131 ; 121 ;
The interval is **-10**
The next number in the pattern is **111**

1.2 Input and output values (flow diagrams). [3.2.1.3; 3.2.1.6]





Printable assessments CAMI Mathematics: Grade 4

