



Printable assessments

CAMI Mathematics: Grade 4

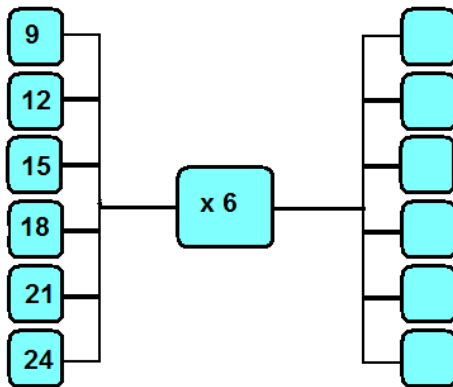
1. Numbers , operations and relationships

1.1 WHOLE NUMBERS:

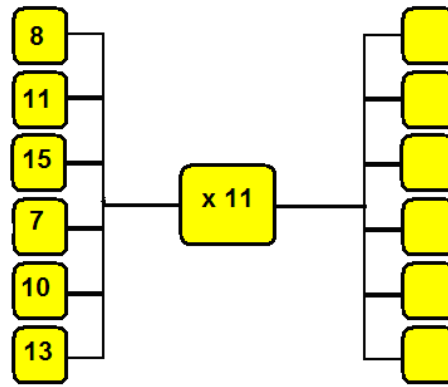
Multiplying and dividing

1.1 Complete the flow diagram.

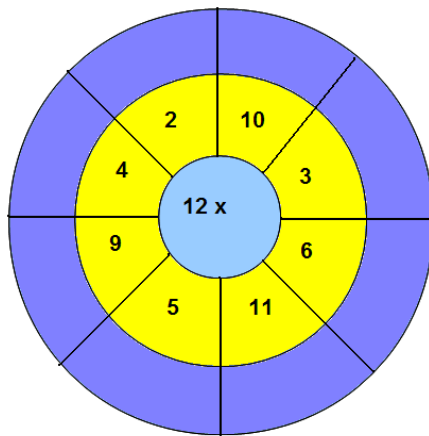
(a)



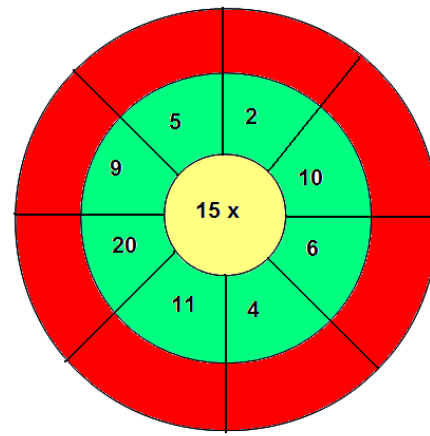
(b)



(b)



(b)



1.2 Use long division to calculate the following.

- (a) $325 \div 3$
- (b) $649 \div 5$
- (c) $823 \div 4$

1.4 Use long multiplication to calculate the following.

- (a) 34×52
- (b) 28×76
- (c) 43×27



Printable assessments CAMI Mathematics: Grade 4

1.5 Use rounding off and compensation to calculate the following.

(a) 602×34

(b) 243×58

(c) 52×553

1.8 Use the associative law to calculate the following.

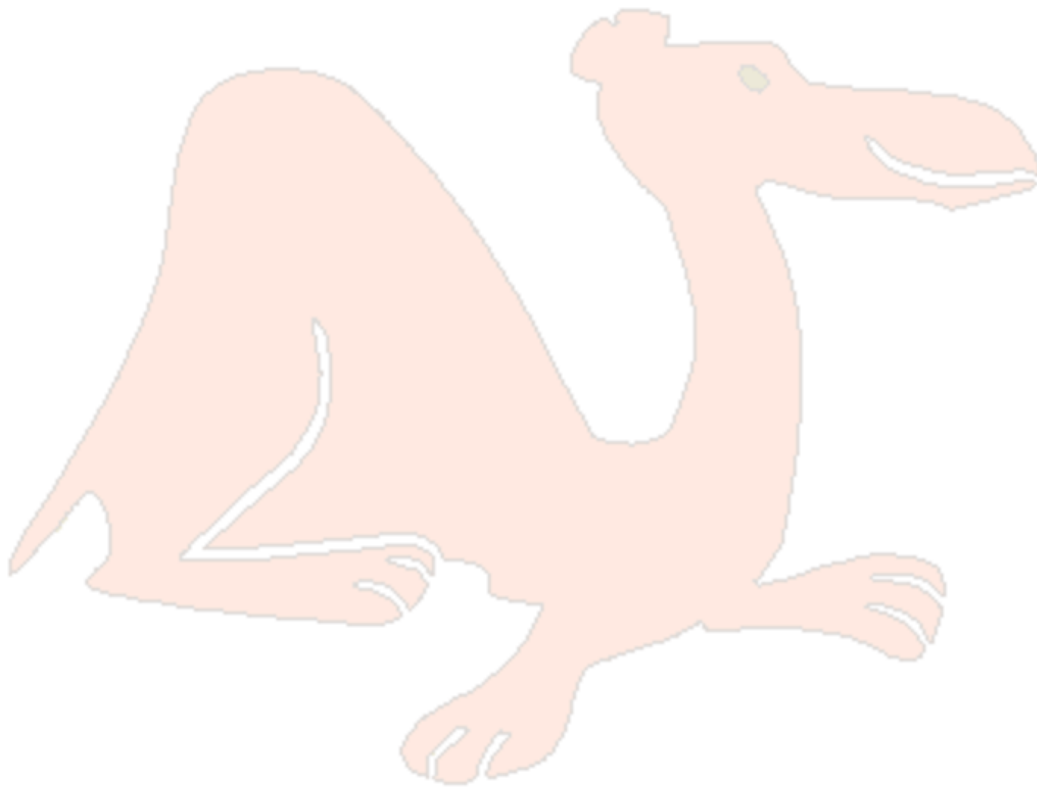
(a) $(58 \times 5) \times 2$

(b) $5 \times (2 \times 35)$

1.9 Use the commutative law to calculate the following.

(a) $7 + (6 + 3)$

(b) $13 \times (9 \times 5)$





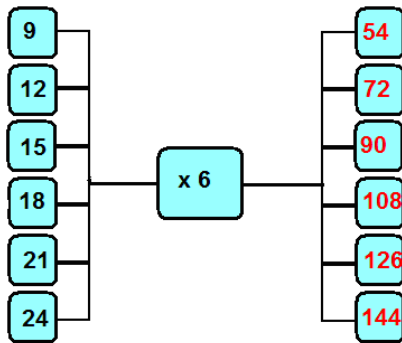
Printable assessments

CAMI Mathematics: Grade 4

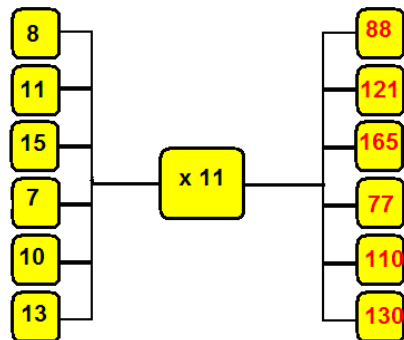
MEMO

1.1 Multiplication. [3.2.3.3; 3.6.4.3]

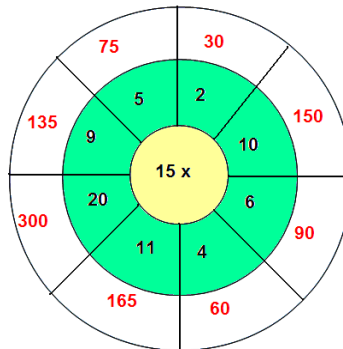
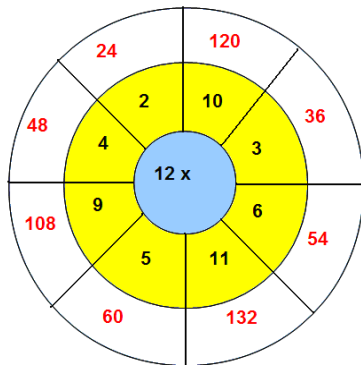
(a)



(b)



(b)



1.2 Longdivision. [1.5.4.3; 1.5.4.4]

(a) $325 \div 3$

$$\begin{array}{r} 108 \text{ r } 1 \\ 3 \overline{) 325} \\ \underline{3} \\ 2 \\ \underline{0} \\ 25 \\ \underline{24} \\ 1 \end{array}$$

(b) $649 \div 5$

$$\begin{array}{r} 129 \text{ r } 4 \\ 5 \overline{) 649} \\ \underline{5} \\ 14 \\ \underline{10} \\ 49 \\ \underline{45} \\ 4 \end{array}$$



Printable assessments

CAMI Mathematics: Grade 4

(c) $823 \div 4$

$$\begin{array}{r} 205 \text{ r } 3 \\ 4 \overline{) 823} \\ \underline{8} \\ 2 \\ \underline{0} \\ 23 \\ \underline{20} \\ 3 \end{array}$$

1.4 Long multiplication. [1.4.6.1]

(a) 34×52 (b) 28×76

$$\begin{array}{r} 34 \\ \times 52 \\ \hline 68 \\ 1700 \\ \hline 1768 \end{array}$$

$$\begin{array}{r} 28 \\ \times 76 \\ \hline 168 \\ 1960 \\ \hline 2128 \end{array}$$

(c) 43×27

$$\begin{array}{r} 43 \\ \times 27 \\ \hline 301 \\ 860 \\ \hline 1161 \end{array}$$

1.5 Rounding and compensation. [1.7.2.2]

(a) 602×34
 $= 600 \times 30$
 $= 18\,000$

(b) 243×58
 $= 200 \times 60$
 $= 121\,000$

(c) 52×553
 $= 50 \times 600$



Printable assessments

CAMI Mathematics: Grade 4

$$= 30\ 000$$

1.8 Associative law. [1.7.7.1]

(a) $(58 \times 5) \times 2$
 $= 58 \times (5 \times 2)$
 $= 58 \times 10$
 $= 580$

(b) $5 \times (2 \times 35)$
 $= (5 \times 2) \times 35$
 $= 10 \times 35$
 $= 350$

1.9 Commutative law. [1.7.7.6]

(a) $7 + (6 + 3)$
 $= 7 + (3 + 6)$
 $= 7 + 9$
 $= 16$

(b) $13 \times (9 \times 5)$
 $= 13 \times (5 \times 9)$
 $= 13 \times 45$
 $= 585$

