



Printable assessments CAMI Mathematics: Grade 7

Functions and relations

1. Use the given rule to complete the table.

(a)

x	-1	0	1	2	3
$2x^2$					
$x + 3$					
$-x + 5$					
$5x - 3$					

(b)

x	1	2	3	4	5
$y = -4x + 5$					

2. Write number sentences using the symbols.

2.1

k	10	11	12	13
l	16	17	18	19

2.1.1 $l = \dots\dots\dots$

2.1.2 When $k = 20$, calculate the value of l .

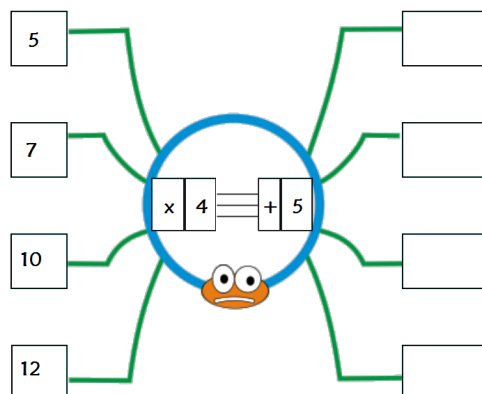
2.2

x	2	3	4	5
y	-8	-7	-6	-5

2.2.1 $y = \dots\dots\dots$

2.2.2 When $x = 920$, calculate the value of y .

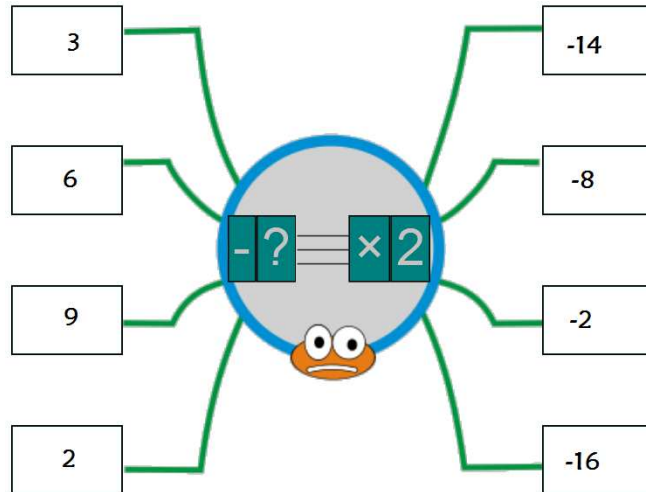
3. Complete the flow diagrams





Printable assessments CAMI Mathematics: Grade 7

4. Rules for flow diagrams.



(input number -) \times 2 = output number.



Printable assessments CAMI Mathematics: Grade 7

MEMO

1. Use the given rule to complete the table. [4.1.3.5]

(a)

x	-1	0	1	2	3
$2x^2$	2	0	2	8	18
$x + 3$	2	3	4	5	6
$-x + 5$	6	5	4	3	2
$5x - 3$	-8	-3	2	7	12

(b)

x	1	2	3	4	5
$y = -4x + 5$	1	-3	-7	-11	-15

2. Write number sentences using the symbols. [4.1.3.8]

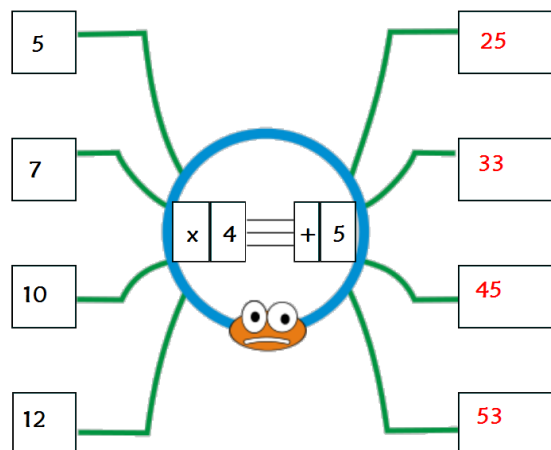
2.1.1 $l = k + 6$

2.1.2 $l = 20 + 6 = 26$

2.2.1 $y = x - 10$

2.2.2 $y = 920 - 10 = 910$

3. Complete the flow diagrams. [3.2.5.3]



4. Rules for flow diagrams. [3.2.5.4]

(input number - 10) \times 2 = output number.