





# Printable Assessments CAMI Maths: Grade 8

**Patterns**

1. Complete the given table using the picture pattern:  
1.1

  
**fig.1**

  
**fig.2**




  
**fig.3**

Figure	1	2	3
Number of tins			

1.2

  
**fig.1**

  
**fig.2**


  
**fig.3**

Figure	1	2	3
Number of balls			

2. Add the next three terms to the given pattern:

2.1 1 ; 1,3 ; 1,6 ; ... ; ... ; ...

2.2 -4 ; 4 ; 12 ; 20 ; ... ; ... ; ...

2.3 -10 ; -19 ; -28 ; -37 ; ... ; ... ; ...

2.4 28 ; 27,2 ; 26, 4 ; 25, 6 ; ... ; ... ; ...

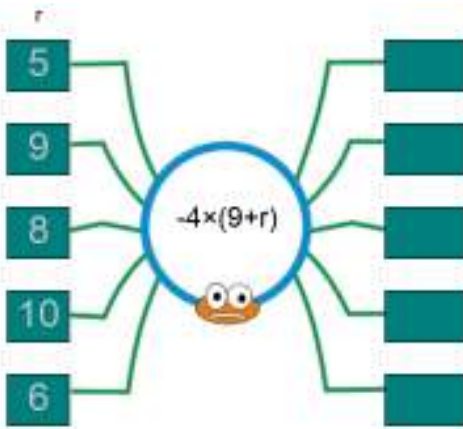
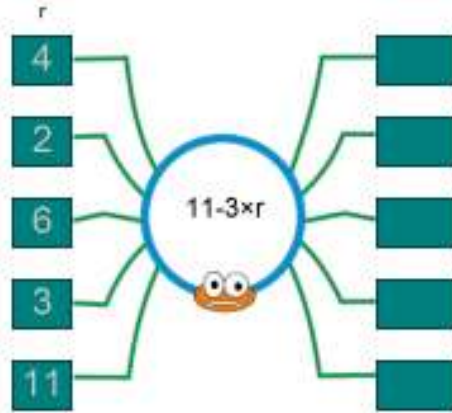
2.5 -4 ; -12 ; -20 ; -28 ; ... ; ... ; ...

3. Complete the following diagram:  
3.1



# Printable Assessments CAMI Maths: Grade 8

3.2



4. Complete the given table:

4.1

x	-1	0	1	2	6
$y = 3x + 1$					

4.2

x	-4	-2	0	2	4
$y = -2x + 1$					

5. Write a number sentence for the table using symbols

5.1

d	13	14	15	16
e	11	12	13	14

5.2

j	8	9	10	11
k	-1	1	1	2



# Printable Assessments

## CAMI Maths: Grade 8

**MEMO**

1. Complete the given table using the picture pattern: [4.1.1.8]

1.1



Figure	1	2	3
Number of tins	1	3	6

1.2

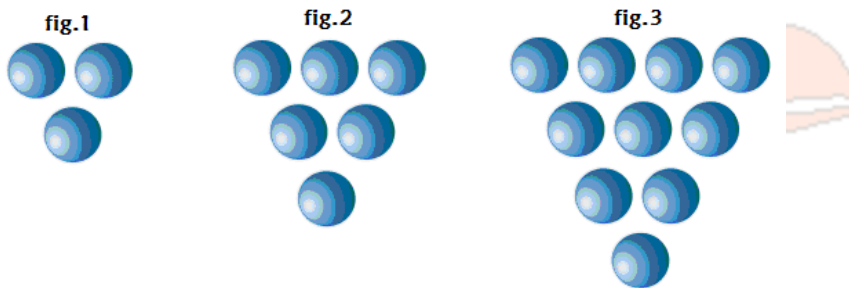


Figure	1	2	3
Number of balls	3	6	10

2. Add the next three terms to the given pattern: [4.1.2.8 ; 4.1.2.9 ; 4.1.2.10]

- 2.1 1 ; 1,3 ; 1,6 ; **1,9 ; 2,2 ; 2,5**
- 2.2 -4 ; 4 ; 12 ; 20 ; **28 ; 36 ; 44**
- 2.3 -10 ; -19 ; -28 ; -37 ; **-46 ; -55 ; -64**
- 2.4 28 ; 27,2 ; 26, 4 ; 25, 6 ; **24,8 ; 24 ; 23,2**
- 2.5 -4 ; -12 ; -20 ; -28 ; **-36 ; -44 ; -52**

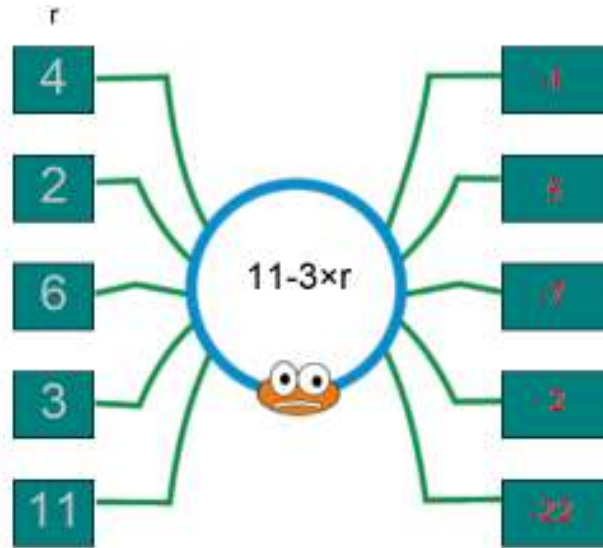


# Printable Assessments CAMI Maths: Grade 8

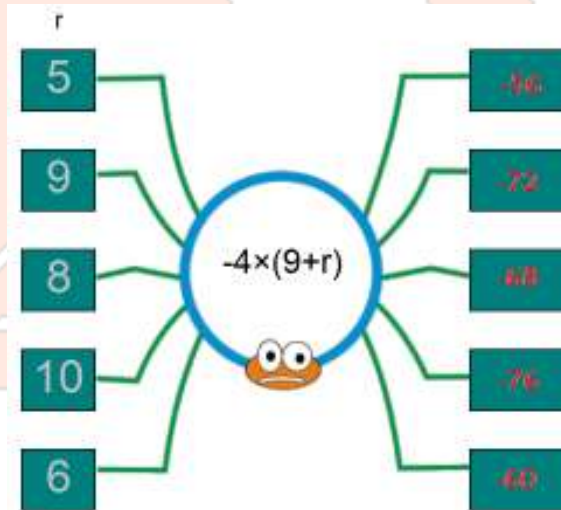
3. Complete the flow diagram:

3.1

[3.2.6.4 ; 3.2.6.5 ; 3.2.6.6]



3.2



4. Complete the given table:

[4.1.3.6]

4.1

x	-1	0	1	2	6
$y = 3x + 1$	-2	1	4	7	19

4.2

x	-4	-2	0	2	4
$y = -2x + 1$	9	5	1	-3	-7



# Printable Assessments CAMI Maths: Grade 8

5. Write a number sentence for the table using symbols [4.1.3.7]

5.1

d	13	14	15	16
e	11	12	13	14

$$e = d - 2$$

5.2

j	8	9	10	11
k	-1	1	1	2

$$k = j - 9$$

